

## EXPLANATION CYLINDERS



### FEATURES:

1. Betex® offers a wide selection of cylinder design, capacity and stroke to match your daily requirements.
2. Built for Rugged Industrial/Construction use. All Betex® cylinders meet worldwide safety standards.
3. Stop rings, plated pistons and heavy duty construction provide trouble-free operation and long life.
4. Heavy duty, wound steel-plated springs provide fast and complete retraction, cycle after cycle, and retain their tension longer. Long-lasting springs contribute substantially to cylinder life.
5. Threaded collars and internal plunger threads withstand full loading for maximum flexibility in fixturing.
6. All Betex® cylinders incorporate a positive piston stop to limit piston travel at the end of the stroke, allowing the cylinder to be operated at full stroke. Piston stops add strength and safety.
7. Rod wiper cleans the rod surface during retraction, protecting the inner cylinder assembly from dirt moisture and other contaminants.
8. Most Betex® cylinders have a black nitride coating, which provides sustainable protection against moisture and other contaminants. All aluminium cylinders have a hard anodized finish.

### Cylinders overview

Series	Description	Type	Capacity ton	Stroke mm	Page
NSSS	General purpose, spring return	Single acting	4.5 -100	25.4 -406	81
NLSL	Low profile, spring return	Single acting	5 -150	6 -17	82
NSCS	Compact, spring return	Single acting	10 -100	38 -62	83
NSHS	Hollow, spring return	Single acting	12 -100	8 -160	84
JLLC	Lock nut, load return	Single acting	50 -1000	50 -300	85
JLPC	Lock nut, load return	Single acting	60 -520	45 -50	86
NDAC	General purpose	Double acting	10 -100	150 -470	87
NDAH	Hollow	Double acting	30 -100	76 -257	88
SSA	Aluminium, spring return	Single acting	20 -100	50 -250	89
ACHC	Aluminium, hollow, spring return	Single acting	30 -60	50 -150	90
ADHC	Aluminium, hollow	Double acting	30 -60	50 -250	91
ALNC	Aluminium, lock nut, load return	Single acting	20 -100	50 -250	92

## CYLINDERS

### BETEX NSSS series, standard cylinder, spring return, single acting



**Model : NSSS series**

Capacity : 4.5 - 100 ton  
Stroke : 25.4 - 406 mm  
Max. operating pressure : 700 bar

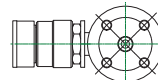
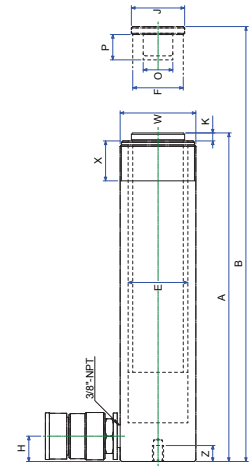
- All rams are single acting with spring return. Pistons hard chromed.
- Rams inside roll-polished, outside blasted with black nitride coating.

**Power sources:**

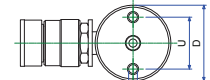
Handpumps, footpumps and air/hydraulic pumps and electric pumps.

**Pump and cylinder sets:**

All cylinders are available as sets: cylinder, gauge, couplers, hose and pump, for your ordering convenience.



NSSS 1006-NSSS 10010



NSSS 51-NSSS 7513

**NSSS series**

**TIP!** Use in combination with hand and foot pumps, pages 93-105. Accessories, pages 108-112

Type	Cap. ton	Stroke mm	Oil cap cm <sup>3</sup>	A Min.	B Height Max.	D mm	E mm	F mm	H mm	J mm	K mm	O ø un	P mm	U mm	V ø UNC	W ø un	X mm	Z mm	Weight Kg
NSSS 51	4.5	26	17	110	136		28.6						14						1
NSSS 53	5	76	54	165	241		30						14						1.5
NSSS 55	5	127	90	216	343	38	30	25.4	19	25	6	3/4"-16	14	25	1/4"-20	1 1/2"-16	28	14	1.9
NSSS 57	5	183	129	273	456		30						16						2.4
NSSS 59	5	232	164	324	556		30						16						2.8
NSSS 101		25.4	36.5	90	115.4		42.8			-	-	#10-24un	6.5						1.8
NSSS 102		51	73	121	172		42.8			40	6	1"-8	19						2.3
NSSS 104		101	145	171	272		42.8			40	6	1"-8	19						3.3
NSSS 106	10	152.5	242	247	399.5	57	45	38	19	40	6	1"-8	19	39	5/16"-18	2 1/4"-14	30	13	4.4
NSSS 108		203.5	323	298	501.5		45			40	6	1"-8	19						5.4
NSSS 1010		255.5	406	350	605.5		45			40	6	1"-8	19						6.4
NSSS 1012		305.5	486	400	705.5		45			40	6	1"-8	19						6.8
NSSS 1014		356.5	567	451	807.5		45			40	6	1"-8	19						8.2
NSSS 151		26.5	63	124	150.5				19										3.3
NSSS 152		52.5	125	149.6	202.1				19										4.1
NSSS 154		102.5	243	200	302.5				19										5.0
NSSS 156	15	153	363	271.6	424.6	73	55	40	25	38	9.6	1"-8	25.4	47.7	3/8"-16	2 3/4"-16	30	13	6.8
NSSS 158		203.5	483	322	525.5				25										8.2
NSSS 1510		254.5	604	373	627.5				25										9.5
NSSS 1512		305	724	424	729				25										10.9
NSSS 1514		355.7	845	474.6	830.3				25										11.8
NSSS 1516		406	824	523	829				25										12.8
NSSS 251		25.5	98	139.5	165														5.9
NSSS 252		51	196	165	216														6.4
NSSS 254		102	392	216	318														8.2
NSSS 256	25	158.5	610	273	431.5	88	70	55	25	50	10.5	1 1/2"-16	25.4	58	1/2"-13	3 5/16"12	50	19	10
NSSS 258		209.5	806	324	533.5														12.2
NSSS 2510		260.5	1002	375	636.5														14.1
NSSS 2512		311	1196	425.5	736.5														16.3
NSSS 2514		361.5	1390.5	476	837.5														17.7
NSSS 308	30	209.5	925	387.5	597	103	75	60	57	50	10.5	1 1/2"-16	25.4	-	-	4"-12	50	-	18.1
NSSS 502		51	361	177	228														15
NSSS 504		101.5	719	229	330.5														19.1
NSSS 506	50	157.5	1116	283	440.5	127	95	80	33	70	3	-	-	95	1/2"-13	5"-12	55	19	23.1
NSSS 508		203	1446	349	552														27.1
NSSS 5010		260	1853	385	645														30.4
NSSS 5013		335.5	2377	461	796.5														37.6
NSSS 756	75	155	1752	285	440	152	120	95	30	70	3	-	-	-	-	5 3/4"-12	45	-	29.5
NSSS 7513		333.5	3770	491	824.5														59
NSSS 1006	100	170	2432	358	528	177	135	105	40	70	3	-	-	139	3/4"-10	6 7/8"-12	45	25	59
NSSS 10010		260	3720	448	708														72.6

## CYLINDERS

BETEX NSLS series, flat cylinder, low height, spring return, single acting



**Model: NSLS series**

Capacity : 5 - 150 ton  
 Stroke : 6 - 17 mm  
 Max. operating pressure : 700 bar

- All cylinders are single acting with spring return.
- Pistons hard chromed.
- Cylinders inside roll-polished, outside blasted with black nitride coating.

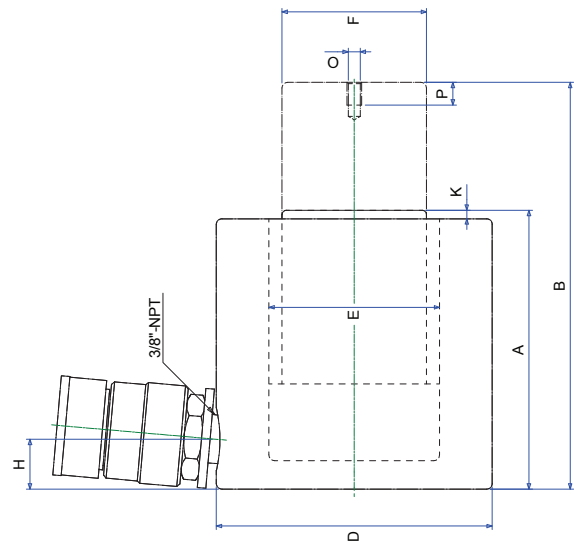
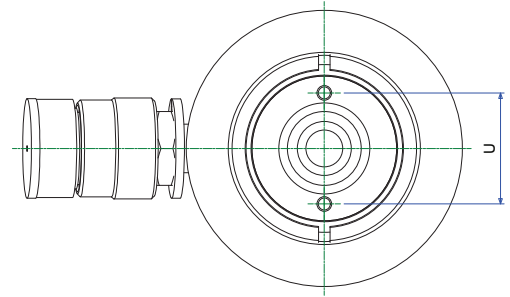
**NSLS series**

**TIP!** Use in combination with hand and foot pumps, pages 93-105. Accessories, pages 108-112

Type	Cap. ton	Stroke mm	Oil cap cm <sup>3</sup>	A Height Min.	B Height Max.	C mm	D mm	E ø mm	F ø mm	G ø mm	H mm	K mm	L mm	M mm	O ø mm	P ø mm	U mm	V ø mm	Weight Kg
NSLS 50	5	6	4.5	33	39	28.5	58.5x44	31	25.4	9.5	16	1	22	22	-	-	-	5.3	1.0
NSLS 100	10	12	18.0	42	54	36.5	82.5x60	44	38	11	19	1	30	34	-	-	-	7.5	1.4
NSLS 200	20	12	34.0	51	63	49.3	100x78	60	50.8	15	19	1	39	39	-	-	-	10	3.1
NSLS 300	30	13	54.0	58	71	52.3	117.5x95	73	63.5	16	19	2	47.5	47.5	-	-	-	10	4.5
NSLS 500	50	16	113.0	66	82	66.5	145x115	95	70	19	19	2	57.5	58	-	-	-	11	6.8
NSLS 750	75	16	180.0	79	95	76.2	170x145	120	82.5	20.5	19	2	72.5	70	-	-	-	13.5	11.3
NSLS 1000	100	16	229.0	85	101	76.2	185x160	135	92	20.5	19	2	80	78	-	-	-	13.5	14.5
NSLS 1500	150	17	363.0	100	117	117	225x195	165	115	20.5	23	2	97.5	85	-	-	-	13.5	26.3

## CYLINDERS

BETEX NSCS series, low height cylinder, short stroke, spring return, single acting



**Model: NSCS series**

Capacity : 10 - 100 ton  
 Stroke : 38 - 62 mm  
 Max. operating pressure : 700 bar

- All cylinders are single acting with spring return.
- Pistons hard chromed.
- Cylinders inside roll-polished, outside blasted with black nitride coating.

**TIP!** Use in combination with hand and foot pumps, pages 93-105. Accessories, pages 108-112

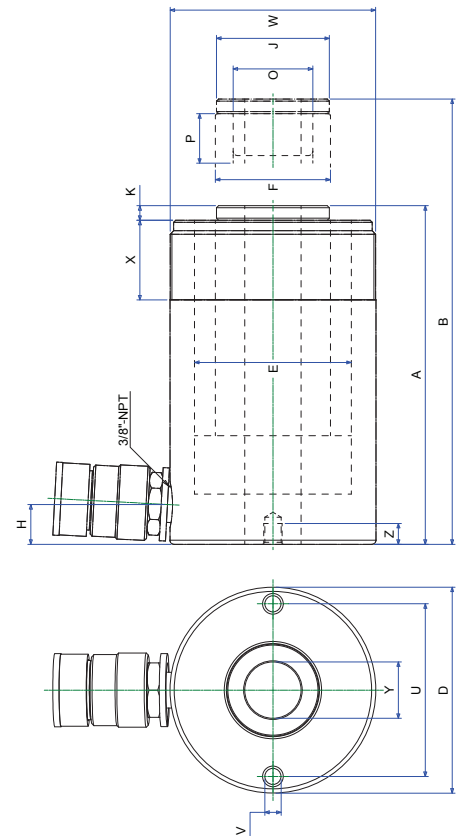
**NSCS series**

Type	Cap. ton	Stroke mm	Oil cap cm <sup>3</sup>	A Height		C mm	D mm	E ø mm	F ø mm	G ø mm	H mm	K mm	L mm	M mm	O ø mm	P ø mm	U mm	V ø mm	Weight Kg
				Min.	Max.														
NSCS 101	10	38	55.0	88	126	-	78	42.8	38	-	17.5	5	-	-	M4	8	26	-	4.1
NSCS 201	20	45	127.0	98	143	-	97	60	50.8	-	17.5	3	-	-	M5	9	39	-	5.0
NSCS 302	30	62	274.0	117	179	-	107	75	63.5	-	19	3	-	-	M5	8	39	-	6.8
NSCS 502	50	60.5	429.0	122	182	-	127	95	70	-	19	2	-	-	M5	8	39	-	10.9
NSCS 1002	100	58	830.0	141.5	199.5	-	165	135	92	-	19	1.5	-	-	M8	10	55	-	22.7



## CYLINDERS

BETEX NSHS series, hollow cylinder, spring return, single acting



**Model: NSHS series**

Capacity : 12 - 100 ton

Stroke : 8 - 158 mm

Max. operating pressure : 700 bar

- All cylinders are single acting with spring return.
- Pistons hard chromed.
- Cylinders inside roll-polished, outside blasted with black nitride coating.



**TIP!** Use in combination with hand and foot pumps, pages 93-105. Accessories, pages 108-112

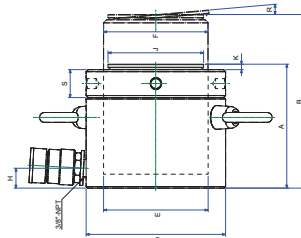
**NSHS series**

centre hole

Type	Cap. ton	Stroke mm	Oil cap cm <sup>3</sup>	A Min.	B Height Max.	D ø mm	E ø mm	F ø mm	H mm	J mm	K mm	O ø un	P mm	U mm	V ø unc	W ø un	X mm	Y ø mm	Z mm	Weight Kg
NSHS 120	12	8	14.8	60	68	73	54.1	35	12.5	-	-	3/4"-16	16	50.8	5/16"-18	2 3/4"-16	33	19.5	9	1.5
NSHS 121	12	42	79	120	162	73	55	35	19	-	-	-	-	50.8	5/16"-18	2 3/4"-16	33	19.5	12.7	3
NSHS 123	12	76	143.2	184	260	73	55	35	19	-	-	-	-	50.8	5/16"-18	2 3/4"-16	33	19.5	12.7	4.2
NSHS 202	20	51	173	162	213	98.5	75	55	19	54	7	1 9/16"-16	25	82.6	3/8"-16	3 7/8"-12	38	27	9.4	7.5
NSHS 206	20	155	527	306	461	98.5	75	55	19	54	7	1 9/16"-16	25	82.6	3/8"-16	3 7/8"-12	38	27	9.4	13.5
NSHS 302	30	65	310	178.5	243.5	117	90	65	21.5	59.9	0.5	1 7/8"-16	25	92	3/8"-16	4 1/2"-12	42	34	14	11
NSHS 306	30	160	763	330	490	117	90	65	21.5	59.9	0.5	1 7/8"-16	25	92	3/8"-16	4 1/2"-12	42	34	14	20.4
NSHS 603	60	76	680	247.5	323.5	158.6	125	90	32	89	12.5	2 3/4"-16	25	130	1/2"-13	6 1/4"-12	50	54	14	26.4
NSHS 606	60	152	1360	323.5	475.5	158.6	125	90	32	89	12.5	2 3/4"-16	25	130	1/2"-13	6 1/4"-12	50	54	14	34
NSHS 1003	100	76	1085	254	330	213	165	125	38	125	14	4"-16	30	178	5/8"-11	8 3/8"-12	60	79	19	50.1

## CYLINDERS WITH LOCK NUT

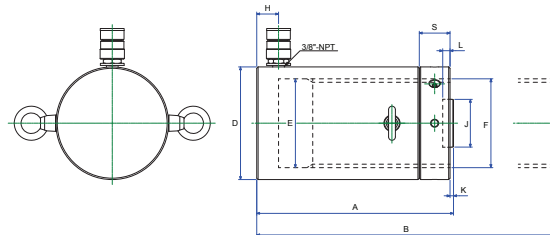
**BETEX JLLC series, high tonnage cylinder, load return, single acting**



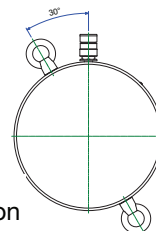
**Optional Tilt Saddle (TSA)**

**Model: JLLC series**

Capacity : 50-1000 ton  
Stroke : 50-300 mm.  
Max. operating pressure : 700 bar



**Model JLLC50-200T**



**Model JLLC300-1000T**

- Single-acting, load return
- Locknut for positive and safe load holding over a long period of time.
- Chrome plated to prevent corrosion and to lower friction for smoother operation
- Withstands side-load forces up to 5% of rated cylinder capacity without scoring
- Stop ring for piston blow-out protection
  - Interchangeable, hardened, grooved saddle as standard
  - High flow coupler and dust cap included on all models
  - Cylinders outside blasted with black nitride coating.

**JLLC series**

**TIP!** Use in combination with hand and foot pumps, pages 93-105. Accessories, pages 108-112

Type	Cap. ton	Stroke mm	Oil cap. cm <sup>3</sup>	Overall height mm		D ø mm	E ø mm	F mm	H mm	J mm	K mm	L mm	S mm	Weight Kg	Optional Tilt Saddle		
				Min.	Max.										J1 mm	K1 mm	Type
JLLC 502	50	50	354.5	164	214	125	95	Tr95x4	20	70	4	13	35	15	70	24	TSA-100
JLLC 506	50	150	1063.5	264	414	125	95	Tr95x4	20	70	4	13	35	25	70	24	TSA-100
JLLC 5010	50	250	1772.5	364	614	125	95	Tr95x4	20	70	4	13	35	35	70	24	TSA-100
JLLC 1002	100	50	665	187	237	165	130	Tr130x4	32	70	4	13	45	30	70	24	TSA-100
JLLC 1006	100	150	1995	287	437	165	130	Tr130x4	32	70	4	13	45	48	70	24	TSA-100
JLLC 10010	100	250	3325	387	637	165	130	Tr130x4	32	70	4	13	45	64	70	24	TSA-100
JLLC 1502	150	50	1005	209	259	205	160	Tr160x6	49	125	4	25	45	53	125	20	TSA-200
JLLC 1506	150	150	3015	309	459	205	160	Tr160x6	49	125	4	25	45	78	125	20	TSA-200
JLLC 15012	150	300	6030	459	759	205	160	Tr160x6	49	125	4	25	45	117	125	20	TSA-200
JLLC 2002	200	50	1345	243	293	235	185	Tr185x6	52	125	4	25	50	83	125	20	TSA-200
JLLC 2006	200	150	4035	343	493	235	185	Tr185x6	52	125	4	25	50	117	125	20	TSA-200
JLLC 20012	200	300	8070	493	793	235	185	Tr185x6	52	125	4	25	50	170	125	20	TSA-200
JLLC 3002	300	50	2167.5	295	345	305	235	Tr235x6	62	160	5	25	60	173	195	75	TSA-300
JLLC 3006	300	150	6502.5	395	545	305	235	Tr235x6	62	160	5	25	60	233	195	75	TSA-300
JLLC 30012	300	300	13005	545	845	305	235	Tr235x6	62	160	5	25	60	323	195	75	TSA-300
JLLC 4002	400	50	2755	335	385	355	265	Tr265x6	76	160	5	25	70	250	225	85	TSA-400
JLLC 4006	400	150	8265	435	585	355	265	Tr265x6	76	160	5	25	70	327	225	85	TSA-400
JLLC 40012	400	300	16530	585	885	355	265	Tr265x6	76	160	5	25	70	441	225	85	TSA-400
JLLC 5002	500	50	3532.5	375	425	395	300	Tr300x6	81	180	5	25	80	367	250	90	TSA-500
JLLC 5006	500	150	10597.5	475	625	395	300	Tr300x6	81	180	5	25	80	466	250	90	TSA-500
JLLC 50012	500	300	21195	625	925	395	300	Tr300x6	81	180	5	25	80	617	250	90	TSA-500
JLLC 6002	600	50	4274	395	445	425	330	Tr330x6	89	195	5	25	85	446	275	95	TSA-600
JLLC 6006	600	150	12823	495	645	425	330	Tr330x6	89	195	5	25	85	562	275	95	TSA-600
JLLC 60012	600	300	25646	645	945	425	330	Tr330x6	89	195	5	25	85	737	275	95	TSA-600
JLLC 8002	800	50	5970	455	505	505	390	Tr390x6	105	225	5	25	100	709	320	120	TSA-800
JLLC 8006	800	150	17910	555	705	505	390	Tr390x6	105	225	5	25	100	870	320	120	TSA-800
JLLC 80012	800	300	35820	705	1005	505	390	Tr390x6	105	225	5	25	100	1110	320	120	TSA-800
JLLC 10002	1000	50	7257	495	545	555	430	Tr430x6	108	250	5	25	110	949	360	135	TSA-1000
JLLC 10006	1000	150	21772	595	745	555	430	Tr430x6	108	250	5	25	110	1141	360	135	TSA-1000
JLLC 100012	1000	300	43544	745	1045	555	430	Tr430x6	108	250	5	25	110	1430	360	135	TSA-1000

## CYLINDERS WITH LOCK NUT

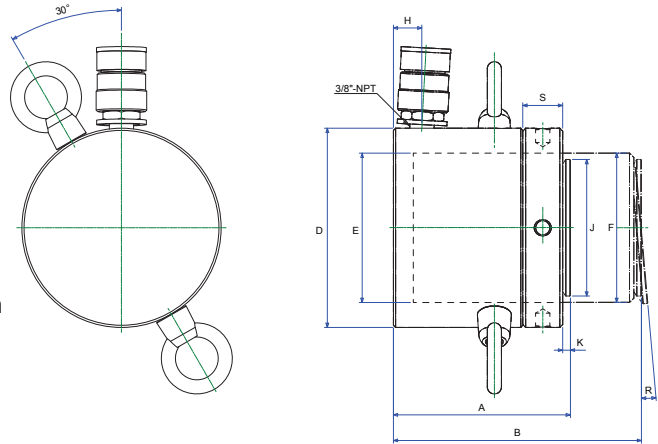
BETEX JLPC series, high tonnage cylinder, load return, compact, single acting



**Model: JLPC series**

Capacity : 60 - 520 ton  
 Stroke : 45 - 50 mm  
 Max. operating pressure : 700 bar

- Extremely low height for use in confined areas
- Single-acting, load return
- Locknut for positive and safe load holding over a long period of time
- Chrome plated to prevent corrosion and to lower friction for smoother operation
- Withstands side-load forces up to 3% of rated cylinder capacity without scoring
- Overflow port functions as a stroke limiter
- High flow coupler and dust cap included on all models
- Cylinders inside roll-polished, outside blasted with black nitride coating.



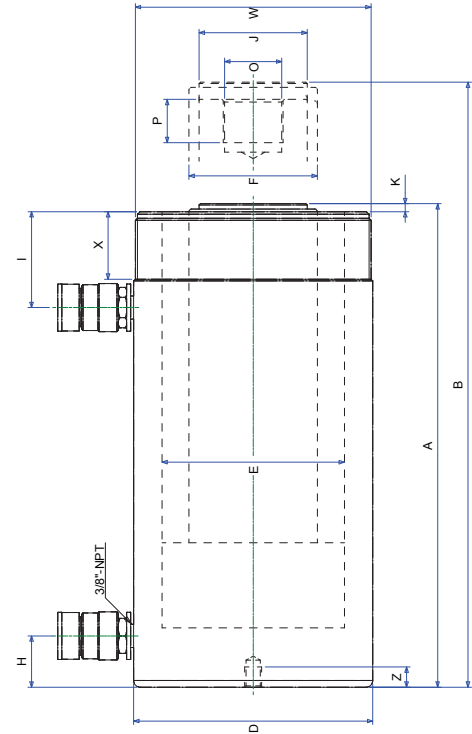
**TIP!** Use in combination with hand and foot pumps, pages 93-105. Accessories, pages 108-112

**JLPC series**

Type	Cap. ton	Stroke mm	Oil cap cm <sup>3</sup>	A Overall height mm Min.	B Overall height mm Max.	D mm	E ø mm	F ø mm	H mm	J ø mm	K mm	R mm	S mm	Weight Kg
JLPC 602	60	50	433	124	174	140	105	Tr105x6	20	96	5	5°	28	15
JLPC 1002	100	50	715	137	187	175	135	Tr135x6	21	126	8	5°	31	26
JLPC 1502	150	45	963	148	193	220	165	Tr165x6	27	150	9	5°	40	44
JLPC 2002	200	45	1273.5	155	200	245	190	Tr190x6	30	180	10	5°	43	57
JLPC 2502	250	45	1633	159	204	275	215	Tr215x6	32	200	11	5°	44	74
JLPC 4002	400	45	2574	178	223	350	270	Tr270x6	39	250	11	5°	55	134
JLPC 5002	520	45	3179	192	237	400	300	Tr300x6	48	285	10	5°	62	189

## CYLINDERS

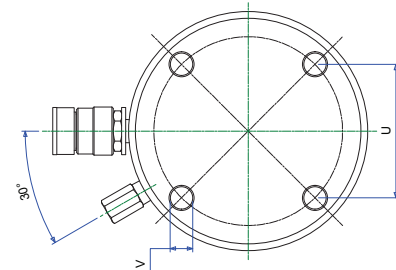
### BETEX NDAC series, double acting



**Model: NDAC series**

Capacity : 10 - 100 ton  
 Stroke : 150 - 470 mm  
 Max. operating pressure : 700 bar

- Perfect for construction, shil yards, utilities, mining and maintenance shops.
- Pistons hard chromed.
- Ram inside roll-polished, outside blasted with black nitride coating.



Overpressure valve

**NDAC series**

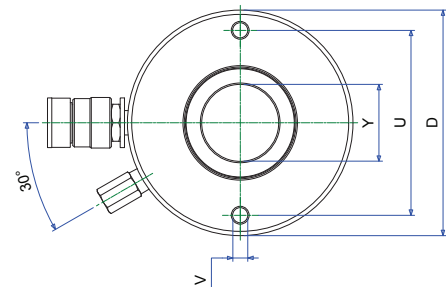
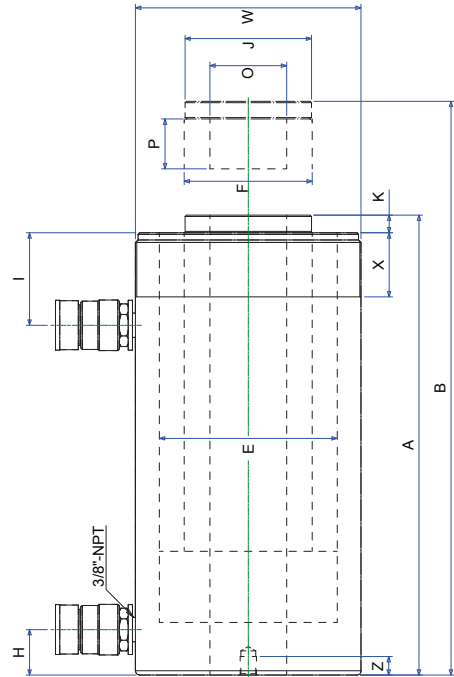
**TIP!** Use in combination with hand and foot pumps, pages 93-105. Accessories, pages 108-112

Type	Cap. ton		Stroke mm	Oil cap cm <sup>3</sup>		A Height		D ø mm	E ø mm	F ø mm	H mm	I mm	J ø mm	K mm	O ø un	P mm	U mm	V ø unc	Z mm	W ø un	X mm	Weight Kg
	Push	Pull		Push	Pull	Min.	Max.															
NDAC 1010	10	4	251	399	144	408	659	78	45	36	36.5	55	40	8	1"-8	25.4	-	-	-	2 1/4"-14	27	13
NDAC 1012	10	4	301	478	172	458	759	78	45	36	36.5	55	40	8	1"-8	25.4	-	-	-	2 1/4"-14	27	15
NDAC 2512	25	10	305	1175	450	476.5	781.5	103	70	55	25	75	50	11.5	1 1/2"-16	25	69.85	1 1/2"-13	19	4"-12	40	29
NDAC 308	30	14	209	923	426	387	596	103	75	55	25	75	50	12	1 1/2"-16	25.4	-	-	-	4"-12	50	20
NDAC 3014	30	14	368	1625	751	547	915	103	75	55	25	75	50	12	1 1/2"-16	25.4	-	-	-	4"-12	50	29
NDAC 506	50	14	150	1062	309	331	481	127	95	80	30	70	70	5	1"-12	25.4	-	-	-	5"-12	50	29
NDAC 5013	50	14	330	2338	680	511	841	127	95	80	30	70	70	5	1"-12	25.4	-	-	-	5"-12	50	43
NDAC 5018	50	14	470	3330	968	675	1145	127	95	80	52	70	70	5	1"-12	25.4	88.9	5/8"-11	22	5"-12	50	59
NDAC 756	75	29.5	155	1752	654	348	503	152	120	95	30	75	70	5	1"-12	38	114.3	3/4"-10	22	5 3/4"-12	45	40
NDAC 7513	75	29.5	333	3764	1405	526	859	152	120	95	30	75	70	5	1"-12	38	114.3	3/4"-10	22	5 3/4"-12	45	58
NDAC 1006	100	43	160	2289	1155	358	518	177	135	95	38	71	80	5	1 3/4"-12	35	139.7	3/4"-10	25	6 7/8"-12	50	59
NDAC 10013	100	43	330	4721	2383	528	858	177	135	95	38	71	80	5	1 3/4"-12	35	139.7	3/4"-10	25	6 7/8"-12	50	83



## CYLINDERS

BETEX NDAH series, hollow cylinder, double acting



**Model: NDAH series**

Capacity : 30-100 ton  
 Stroke : 76-257 mm.  
 Max. operating pressure : 700 bar

- All cylinders are hollow and double acting
- Hard chromed pistons
- Cylinders inside roll-polished, outside blasted with black nitride coating.
- Perfect for construction, ship yards, utilities, mining and equipment maintenance

**TIP!** Use in combination with hand and foot pumps, pages 93-105. Accessories, pages 108-112

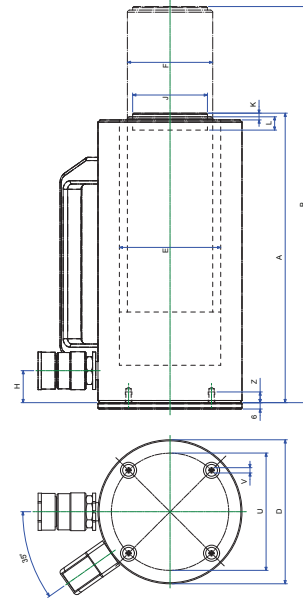
**NDAH series**

Centre Hole

Type	Cap. ton	Stroke mm	Oil cap cm <sup>3</sup>	A Height mm	B Max.	D ø mm	E ø mm	F ø mm	H mm	I mm	J ø mm	K mm	O ø un	P mm	U mm	V mm	Z mm	W ø un	X mm	Y ø mm	Weight Kg		
NDAH 307	30	21	178	849	541	330	508	117	90	65	21.5	60.5	59.5	0.5	1 7/8"-16	25	92	3/8"-16	14	4 1/2"-12	42	34	22
NDAH 3010	30	21	257	1226	782	431	688	117	90	65	21.5	60.5	59.5	10	1 7/8"-16	25	92	3/8"-16	14	4 1/2"-12	42	34	27
NDAH 603	60	41	89	797	526	247.5	336.5	158.6	125	90	32	65	89	12.5	2 3/4"-16	25	130	1/2"-13	14	6 1/4"-12	50	54	28
NDAH 606	60	41	165	1477	975	323.5	488.5	158.6	125	90	32	65	89	12.5	2 3/4"-16	25	130	1/2"-13	14	6 1/4"-12	50	54	35
NDAH 6010	60	41	257	2300	1518	437.5	694.5	158.6	125	90	32	65	89	12.5	2 3/4"-16	25	130	1/2"-13	14	6 1/4"-12	50	54	45
NDAH 1003	100	64	76	1086	692	254	330	213	165	125	38	82	125	12	4"-16	30	178	5/8"-11	19	8 3/8"-12	60	79	52
NDAH 1006	100	64	152	2172	1384	325	477	213	165	125	38	82	125	12	4"-16	30	178	5/8"-11	19	8 3/8"-12	60	79	65
NDAH 10010	100	64	256	3656	2331	462	718	213	165	125	38	82	125	12	4"-16	30	178	5/8"-11	19	8 3/8"-12	60	79	88

## ALUMINIUM CYLINDERS

BETEX SSA series, light weight aluminium cylinder, spring return, single acting



Capacity : 20-100 ton  
 Stroke : 50-250 mm.  
 Max. operating pressure : 700 bar

### Model: SSA series

- 8 standard models available for 50 to 100 tons.
- Up to 60% lighter than steel cylinders.
- Heavy duty spring for easy and full retraction.
- Large saddle surface for angle load protection.
- High-flow quality couplers.
- Models are provided with carrying handles.
- Rod wiper protects inner rod from dirt.
- Black hard-anodized housing and piston reduce wear and corrosion.

### Base Plate Mounting holes dimensions (mm)

Model cylinder/cap. ton	Bolt circle U mm	Thread V mm	Thread Dept X mm
SSA-20	70	M6 x 1.0	10
SSA-30	80	M6 x 1.0	10
SSA-50	110	M6 x 1.0	10
SSA-100	160	M6 x 1.0	10

Custom stroke lengths and capacities are available.

### SSA series

TIP! Use in combination with hand and foot pumps, pages 93-105. Accessories, pages 108-112

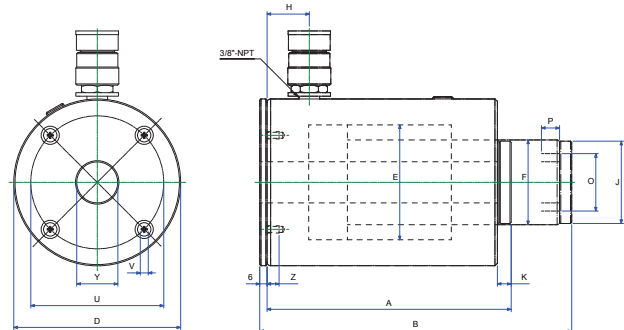
Type	Cap. ton	Stroke mm	Oil cap cm <sup>3</sup>	A Overall height		D Ø mm	E Ø mm	F Ø mm	H Ø mm	J Ø mm	K mm	L mm	Weight Kg
				Minimum	Maximum								
SSA 202	20	50	166	168	218	92	65	55	25	40	3	9	4.3
SSA 204		100	332	218	318	92	65	55	25	40	3	9	5
SSA 206		150	498	268	418	92	65	55	25	40	3	9	5.7
SSA 208		200	664	318	518	92	65	55	25	40	3	9	6.5
SSA 302	30	50	221	175	225	110	75	60	25	40	3	9	6
SSA 304		100	442	225	325	110	75	60	25	40	3	9	6.9
SSA 306		150	663	275	425	110	75	60	25	40	3	9	7.9
SSA 308		200	884	325	525	110	75	60	25	40	3	9	8.8
SSA 502	50	50	354.5	171	221	135	95	80	30	70	6	12	7.7
SSA 504		100	709	221	321	135	95	80	30	70	6	12	9.1
SSA 506		150	1063.5	271	421	135	95	80	30	70	6	12	11.7
SSA 508		200	1418	321	521	135	95	80	30	70	6	12	13.5
SSA 5010		250	1772.5	371	621	135	95	80	30	70	6	12	16.4
SSA 1002	100	50	715	185	235	200	135	105	45	70	6	12	17.2
SSA 1004		100	1430	235	335	200	135	105	45	70	6	12	21
SSA 1006		150	2145	285	435	200	135	105	45	70	6	12	25.1
SSA 1008		200	2860	335	535	200	135	105	45	70	6	12	28.5
SSA 10010		250	3575	388	638	200	135	105	45	70	6	12	30.7

## ALUMINIUM CYLINDERS

BETEX ACHC series, light weight aluminium cylinder, hollow, spring return, single acting



Model ACHC 30-60T



### Model: ACHC series

- Half the weight of steel cylinders
- Heavy duty spring for fast & full return
- Chrome plated centre hole for extra protection
- Large bearing surfaces for side load protection
- Carrying handles standard on some models
- Black hard-anodized coating reduces wear & corrosion
- Stop rings for piston blow-out protection
- Rod wiper protects inner rod from dirt

Capacity : 30 & 60 ton  
Stroke : 50-150 mm.  
Max. operating pressure : 700 bar

### Base Plate Mounting holes dimensions (mm)

Model cylinder/ cap. ton	Bolt circle U mm	Thread V mm	Thread Dept Z mm	Centre hole Y Ø mm
ACHC-30	110	M6 x 1.0	10	34
ACHC-60	160	M6 x 1.0	10	54

**TIP!** Use in combination with hand and foot pumps, pages 93-105. Accessories, pages 108-112

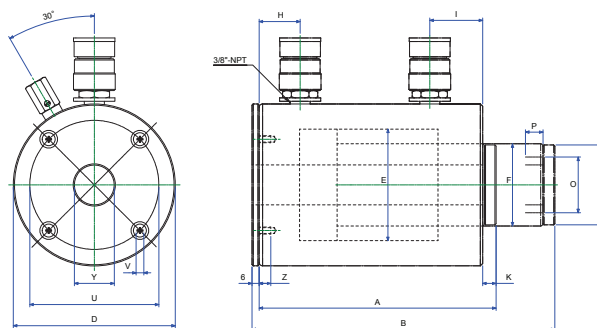
Type	Cap. ton	Stroke mm	Oil cap cm <sup>3</sup>	A Overall height mm		D Ø mm	E Ø mm	F Ø mm	H mm	J Ø mm	K mm	O Ø un	P mm	Weight Kg
				Min.	Max.									
ACHC 302	30	50	275	202	252	138	95	70	35	68	11.5	1 <sup>7</sup> / <sub>8</sub> "-16	25	10
ACHC 306	30	150	825	327	477	138	95	70	35	68	11.5	-	25	14
ACHC 602	60	50	447.5	250	300	200	125	100	50	89	14	2 <sup>3</sup> / <sub>4</sub> "-16	25	19.5
ACHC 606	60	150	1342	350	500	200	125	100	50	89	14	-	25	25

## ALUMINIUM CYLINDERS

BETEX ADHC series, light weight aluminium cylinder, hollow, double acting



Model ADHC cylinders 30-60T



**Model: ADHC series**

- Half the weight of steel cylinders
- Steel piston for protection against load damage
- Cylinders inside roll-polished, outside blasted with black nitride coating
- All models are provided with carrying handles
- Black hard-anodized coating reduces wear and corrosion
- Stop rings for piston blow-out protection
- Rod wiper protects inner rod from dirt

Capacity : 30-60 ton  
 Stroke : 50-250 mm.  
 Max. operating pressure : 700 bar

**Base Plate Mounting holes dimensions (mm)**

Model cylinder/ cap. ton	Bolt circle U mm	Thread V mm	Thread Dept Z mm
ADHC-30	110	M6 x 1.0	10
ADHC-60	160	M6 x 1.0	10

**ADHC series**

**TIP!** Use in combination with hand and foot pumps, pages 93-105. Accessories, pages 108-112

Centre hole

Type	Cap. ton	Stroke mm	Cap. ton Push	Cap. ton Pull	Oil cap cm <sup>3</sup> Push	Oil cap cm <sup>3</sup> Pull	A Overall height mm Min.	B Overall height mm Max.	D Ø mm	E Ø mm	F Ø mm	H mm	I mm	J Ø mm	K mm	P mm	O Ø un	Y Ø mm	Weight Kg
ADHC 302	30	50	38.5	22.7	275	162	202	252	138	95	70	35	45	68	11.5	25	1 7/8"-16	34	9.3
ADHC 306	30	150	38.5	22.7	825	486	327	477	138	95	70	35	45	68	11.5	25	-	34	13
ADHC 3010	30	250	38.5	22.7	1374	810	430	680	138	95	70	35	45	68	11.5	25	-	34	16
ADHC 602	60	50	62.6	31	447.5	221	250	300	200	125	100	50	50	89	14	25	2 3/4"-16	54	15.5
ADHC 606	60	150	62.6	31	1342	662	350	500	200	125	100	50	50	89	14	25	-	54	23
ADHC 6010	60	250	62.6	31	2237	1104	433	683	200	125	100	50	50	89	14	25	-	54	30.5

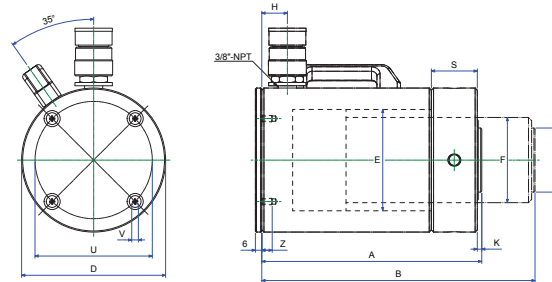


## ALUMINIUM CYLINDERS WITH LOCK NUT

BETEX ALNC series, light weight aluminium-cylinder, load return, single acting



Model ALNC cylinders 50-100T



Capacity : 20-100 ton  
 Stroke : 50-250 mm.  
 Max. operating pressure : 700 bar

### Model: ALNC series

- Half the weight of steel cylinders
- Locknut for positive and safe load holding over a long period of time.
- Large bearing surfaces for side load protection
- All models are provided with carrying handles
- Black hard-anodized coating reduces wear & corrosion
- Stop rings for piston blow-out protection

### Base Plate Mounting holes dimensions (mm)

Model cylinder/ cap. ton	Bolt circle U mm	Thread V mm	Thread Depth X mm
ALNC-20	70	M6 x 1.0	10
ALNC-30	80	M6 x 1.0	10
ALNC-50	110	M6 x 1.0	10
ALNC-100	160	M6 x 1.0	10

### ALNC series

Type	Cap. ton	Stroke mm	Oil cap cm <sup>3</sup>	A Overall height mm Min.	B Overall height mm Max.	D Ø mm	E Ø mm	F Ø mm	H Ø mm	J Ø mm	K mm	L mm	Weight Kg
ALNC 202	20	50	166	212	262	92	65	Tr55×3	25	40	3	25	4.8
ALNC 204		100	332	262	362	92	65	Tr55×3	25	40	3	25	5.5
ALNC 206		150	498	312	462	92	65	Tr55×3	25	40	3	25	6.3
ALNC 208		200	664	412	612	92	65	Tr55×3	25	40	3	25	6.9
ALNC 302	30	50	221	205	255	110	75	Tr60×3	25	40	3	30	6.9
ALNC 304		100	442	255	355	110	75	Tr60×3	25	40	3	30	7.7
ALNC 306		150	663	305	455	110	75	Tr60×3	25	40	3	30	7.6
ALNC 308		200	884	355	555	110	75	Tr60×3	25	40	3	30	9.6
ALNC 502	50	50	354	212	262	135	95	Tr80×4	30	60	3	43	9.3
ALNC 504		100	708	262	362	135	95	Tr80×4	30	60	3	43	10.7
ALNC 506		150	1062	312	462	135	95	Tr80×4	30	60	3	43	13.7
ALNC 508		200	1418	362	562	135	95	Tr80×4	30	60	3	43	14.5
ALNC 5010		250	1770	412	662	135	95	Tr80×4	30	60	3	43	16.5
ALNC 1002	100	50	715	235	285	200	135	Tr105×6	45	70	3	51	21.7
ALNC 1004		100	1430	285	385	200	135	Tr105×6	45	70	3	51	25.2
ALNC 1006		150	2145	335	485	200	135	Tr105×6	45	70	3	51	29.2
ALNC 1008		200	2860	385	585	200	135	Tr105×6	45	70	3	51	33
ALNC 10010		250	3575	435	685	200	135	Tr105×6	45	70	3	51	35.4

**TIP!** Use in combination with hand and foot pumps, pages 93-105. Accessories, pages 108-112